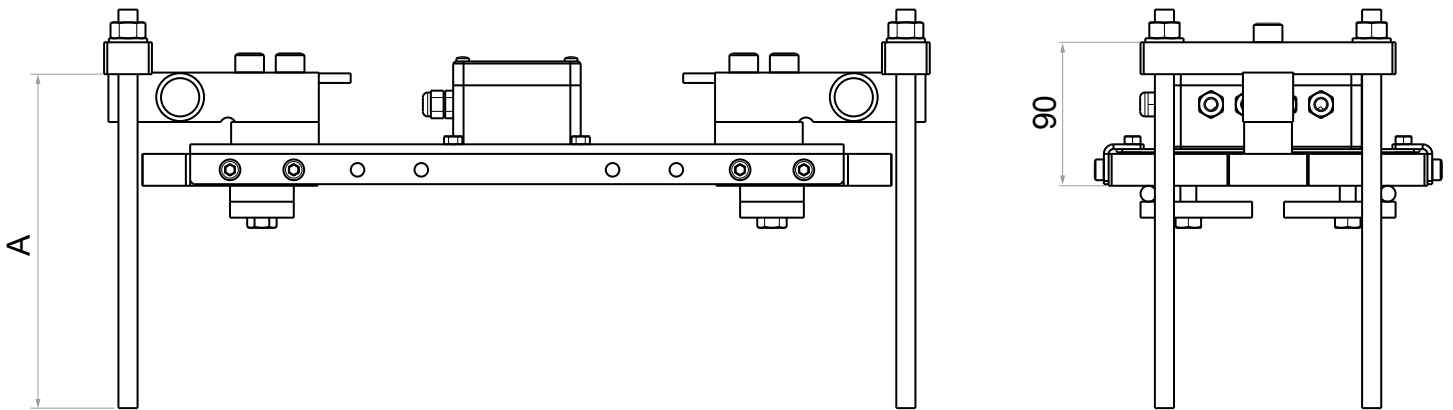
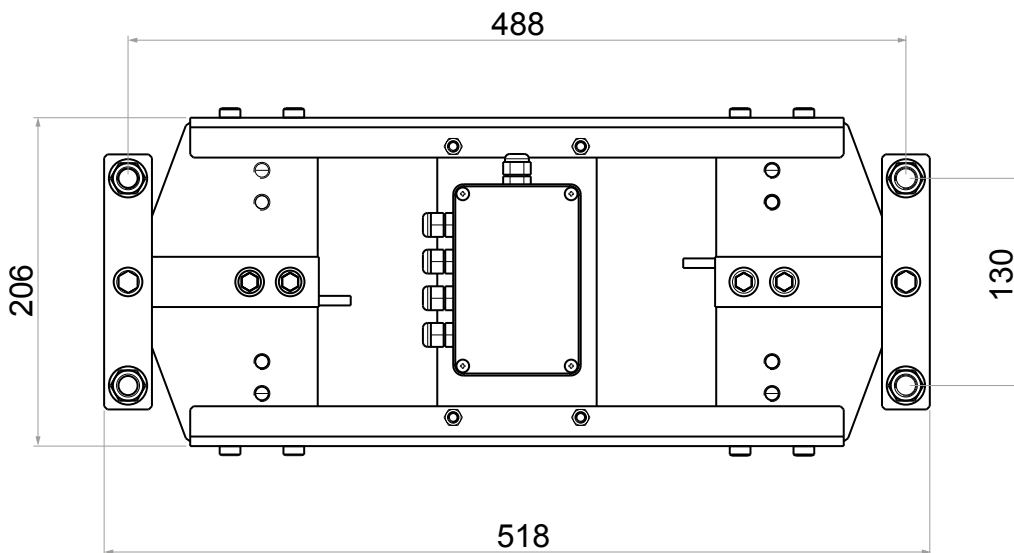


TWG



A: M12 bar length to specify when ordering



Can be mounted on IPE80 up to IPE220 beam.

dimensions in mm